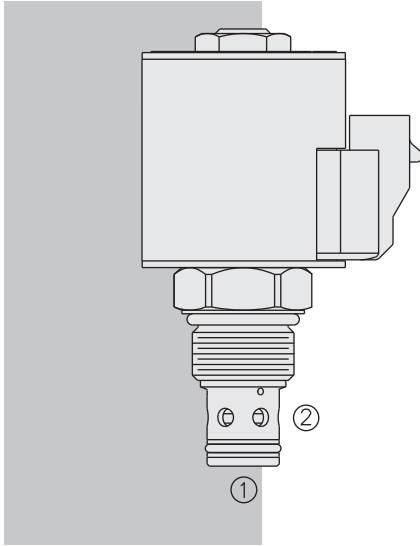
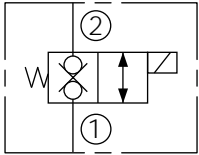


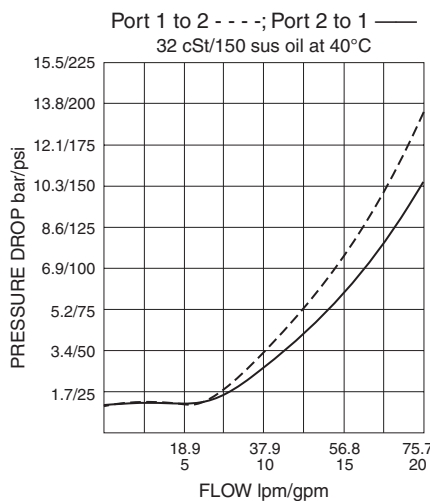
HSV10-28 HyPerformance™ Poppet, 2-Way, N.C.



SYMBOL



PERFORMANCE (Cartridge Only)



DESCRIPTION

A solenoid-operated, 2-way, piloted, normally closed, poppet-type, bi-directional, screw-in hydraulic cartridge valve, designed to function as a load holding or blocking valve in high pressure applications requiring low internal leakage bi-directionally.

OPERATION

When energized, the **HSV10-28** allows flow in both directions. When de-energized, the valve blocks flow in both directions.

FEATURES

- Continuous-duty rated solenoid.
- Hardened seat for long life and low leakage.
- Optional coil voltages and terminations.
- Efficient wet-armature construction.
- Cartridges are voltage interchangeable.
- Waterproof E-Coils rated up to IP69K.
- 1000-hour salt-spray rated solenoid tubes and coils.
- Unitized, molded coil design.
- All HyPerformance products are tested to the rigorous standards of the NFPA specification T2.6.1.
- All HyPerformance valves are tested at a verification level of 90% and an assurance of 99%.

RATINGS

Operating Pressure: 350 bar (5075 psi); 10% Cycle Life: 420 bar (6090 psi)

Note: All HyPerformance products are tested for 900K cycles at 350 bar and 100K cycles at 420 bar.

Burst Pressure: 1380 bar (20,000 psi)

Flow: Up to 75.7 lpm (20 gpm)

Internal Leakage: 0.25 cc/minute (5 drops/minute) max. at 350 bar (5075 psi)

Temperature: -54° to 107°C (-65° to 225°F) with Urethane seals

Coil Duty Rating: Continuous from 85% to 115% of nominal voltage

Initial Coil Current Draw at 20°C: 1.7 amps at 12 VDC; 0.85 amps at 24 VDC

Minimum Pull-in Voltage: 85% of nominal at 207 bar (3000 psi)

Filtration: See page 9.010.1

Fluids: Mineral-based or synthetics with lubricating properties at viscosities of 7.4 to 420 cSt (50 to 2000 sus); See Temperature and Oil Viscosity, page 9.060.1

Installation: No restrictions; See page 9.020.1

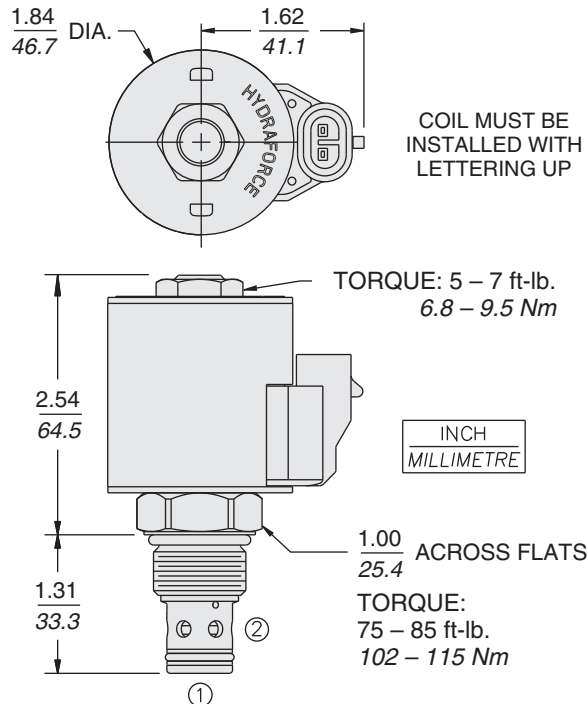
Cavity: HVC10-2; See page 9.110.1

Cavity Tool: HCT10-2xx; See page 8.600.1

Seal Kit: SK10-2U-O; See page 8.650.1

Coil Nut: Part No. 4553800

DIMENSIONS



ORIFICE DISC CANNOT BE USED WITH THIS PRODUCT due to HyPerformance™ Cavity.

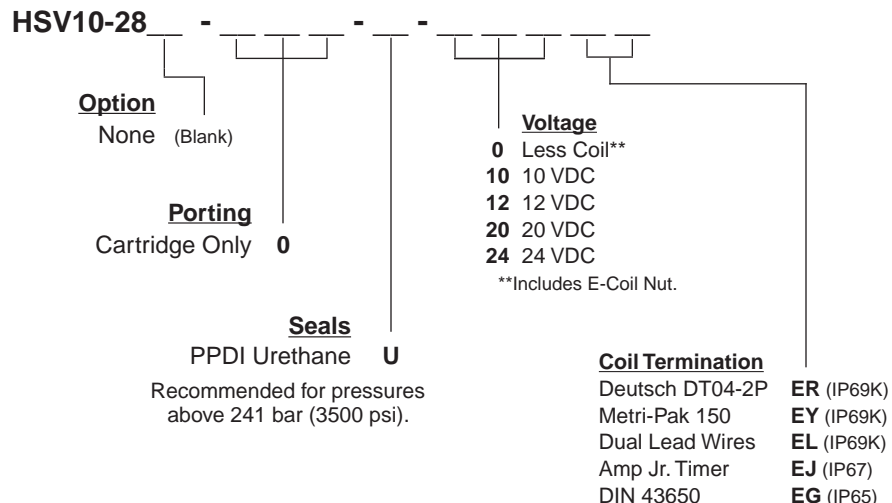
MATERIALS

Cartridge: Weight: 0.18 kg. (0.39 lbs.); Steel with hardened work surfaces. Zinc-plated exposed surfaces. Urethane O-ring without back-up standard.

Ported Body: Ductile iron recommended for operating pressures above 207 bar (3000 psi). Consult Factory.

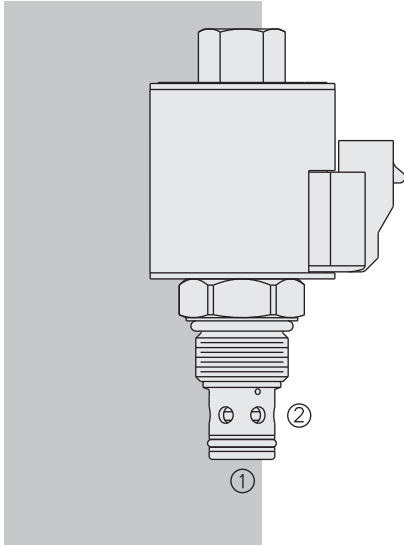
E-Coil: Weight: 0.41 kg. (0.9 lbs.); Fully encapsulated with rugged external metal shell. Rated up to IP69K with integral connectors. See page 3.400.1.

TO ORDER



For Coils with Zener Diode, add "Z" to option code. For example: "ER/Z". Not available on all models. See coil option info. on page 3.400.1

HSV10-29 HyPerformance™ Poppet, 2-Way, N.O.



DESCRIPTION

A solenoid-operated, 2-way, normally open, piloted, poppet-type, bi-directional screw-in hydraulic cartridge valve, designed to function as a load holding or blocking valve in high pressure applications requiring low internal leakage.

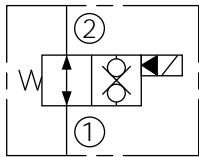
OPERATION

When de-energized, the **HSV10-29** allows flow in both directions. When energized, the valve blocks flow in both directions.

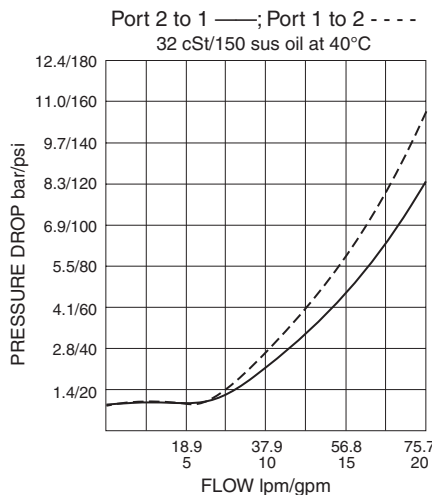
FEATURES

- Continuous-duty rated solenoid.
- Hardened seat for long life and low leakage.
- Optional coil voltages and terminations.
- Efficient wet-armature construction.
- Cartridges are voltage interchangeable.
- Waterproof E-Coils rated up to IP69K.
- 1000-hour salt-spray rated solenoid tubes and coils.
- Unitized, molded coil design.
- All HyPerformance products are tested to the rigorous standards of the NFPA specification T2.6.1.
- All HyPerformance valves are tested at a verification level of 90% and an assurance of 99%.

SYMBOL



PERFORMANCE (Cartridge Only)



RATINGS

Operating Pressure: 350 bar (5075 psi); 10% Cycle Life: 420 bar (6090 psi)

Note: All HyPerformance products are tested for 900K cycles at 350 bar and 100K cycles at 420 bar.

Burst Pressure: 1380 bar (20,000 psi)

Flow: Up to 75.7 lpm (20 gpm)

Internal Leakage: 0.25 cc/minute (5 drops/minute) max. at 350 bar (5075 psi)

Coil Duty Rating: Continuous from 85% to 115% of nominal voltage

Initial Coil Current Draw at 20°C: 1.7 amps at 12 VDC; 0.85 amps at 24 VDC

Temperature: -54° to 107°C (-65° to 225°F) with Urethane seals

Filtration: See page 9.010.1

Fluids: Mineral-based or synthetics with lubricating properties at viscosities of 7.4 to 420 cSt (50 to 2000 sus); See Temperature and Oil Viscosity, page 9.060.1

Installation: No restrictions; See page 9.020.1

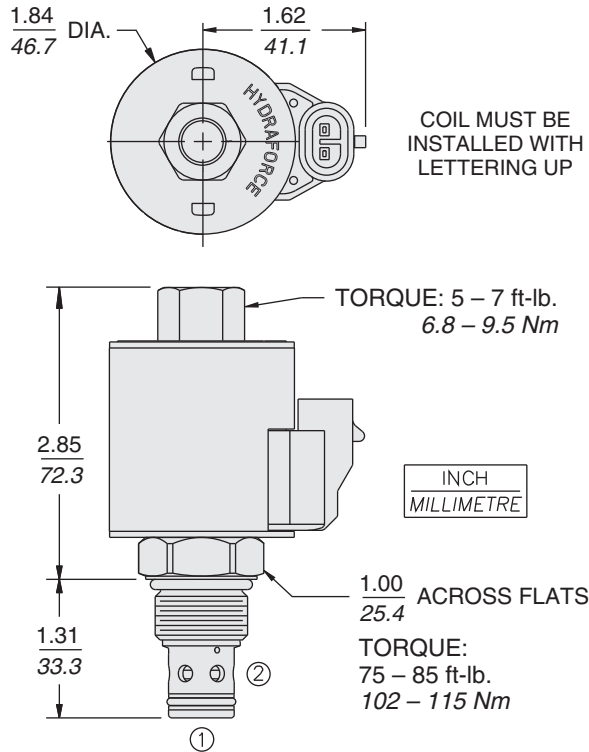
Cavity: HVC10-2; See page 9.110.1

Cavity Tool: HCT10-2xx; See page 8.600.1

Seal Kit: SK10-2U-O; See page 8.650.1

Coil Nut: Part No. 4555250

DIMENSIONS

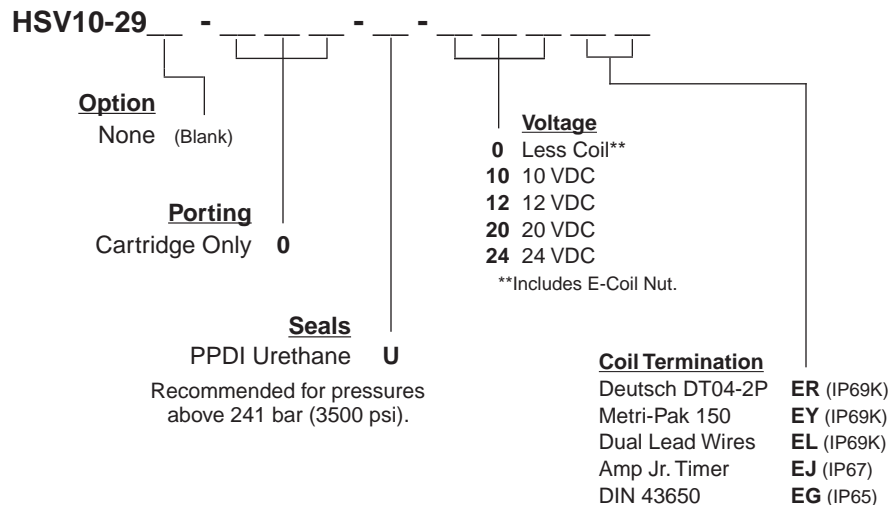


ORIFICE DISC CANNOT BE USED WITH THIS PRODUCT due to HyPerformance™ Cavity.

MATERIALS

- Cartridge:** Weight: 0.19 kg. (0.41 lbs.); Steel with hardened work surfaces. Zinc-plated exposed surfaces. Urethane O-ring without back-up standard.
- Ported Body:** Ductile iron recommended for operating pressures above 207 bar (3000 psi). Consult Factory.
- E-Coil:** Weight: 0.41 kg. (0.9 lbs.); Fully encapsulated with rugged external metal shell. Rated up to IP69K with integral connectors. See page 3.400.1.

TO ORDER



For Coils with Zener Diode, add "Z" to option code. For example: "ER/Z". Not available on all models. See coil option info. on page 3.400.1